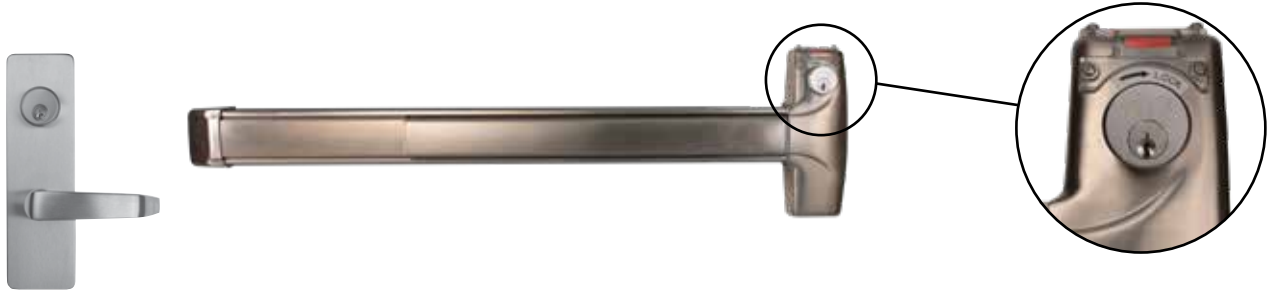




3010DM SERIES

Mortise Lock Exit Device (Double Cylinder)

The 3010D Double Cylinder Mortise Exit Device includes an indicator on the inside of the door that allows quick visual identification of the lockout status of the outside trim. This feature is desirable for lockdown or active shooter situations. This super heavy duty exit device can be used on fire exits and is easily installed with our patented mounting plate and strike locator system.



Benefits

- Gives ability to lock outside lever trim from the inside, protecting people and property inside from outside threats
- Heavy duty angled end cap deflects damage away from device
- Allows quick indication of the outside lever lock status
- Minimal door prep saves time and money
- Outside trims are easily changed or re-keyed without removing device from door
- Fast and easy installation saves time and money
- Tough and durable design for years of trouble-free service in high-use, high-abuse environments
- Patented mounting plate and strike locator replaces paper templates
- Easy retrofit to other manufacturers

Features

- 3/4" Projection Stainless Steel latch bolt
- Anti-friction, deadlocking, latch bolt
- Handed, field sizeable
- All exposed surfaces are finished over stainless steel with PVD, an environmentally-friendly finishing process
- 1/8 turn hex or cylinder dogging
- Visual indicator shows locked or unlocked status on inside of door
- Always indicates whether lever is unlocked or locked
- Available in the Advantex 10 and 30 Series

Mechanical Options

- F - 3-Hour Fire Rated
 - AM - Anti-Microbial Coating
 - CD - Cylinder Dogging
 - HD - Hex Dogging (Std.)
 - LD - Less Dogging
 - 90 ANSI Strike (Std.)
 - 91 ANSI Flat Lip Strike
 - 92 Double Door Short Open Back Strike
 - 93 - Double Door Long Open Back Strike
 - 24 - Fits 24" Door Width
 - 30 - Fits 30" Door Width
 - 36 - Fits 36" Door Width (Std.)
 - 48 - Fits 48" Door Width
 - SLR - Silencer
 - EC1 - Heavy duty angled end cap (Std.)
 - EC2 - Flush end cap
- For full list of available mechanical options, see 30 Series How To Order page

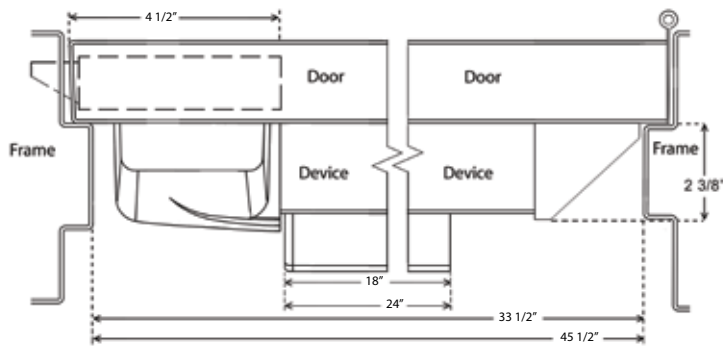
Electrical Options

- Exit Alarm (EA)
- Electric Dogging (ED)
- Electric Latch Retraction (ER)
- Request to Exit (EX)
- Request to Exit for High Voltage (EXV)

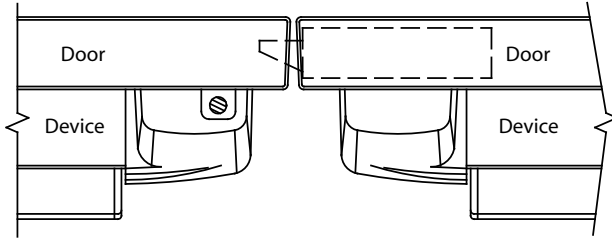
Refer to Electrified Options section for more information



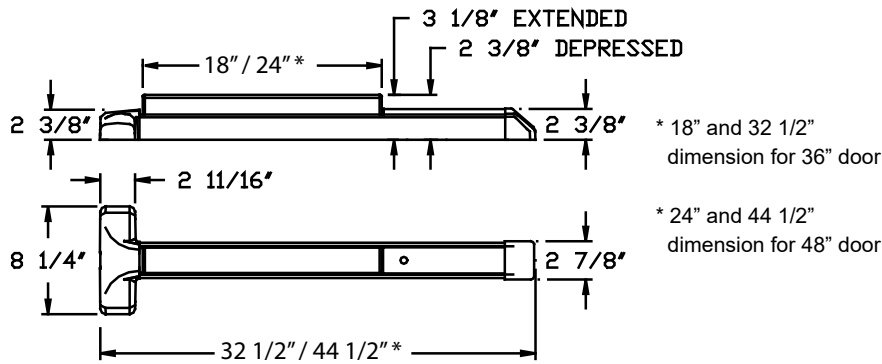
Single Door



Double Door with Mortise and Vertical Rod



Dimensions



Listings and Approvals



UL Listed Panic Hardware



UL Listed Fire Exit Hardware for 3 hours, maximum 4'x10' single doors and 8'x10' pairs of doors combined with Surface Vertical Rod



Meets ADA requirements



ANSI/BHMA certified A156.3



UL 97, Standard 7-2 and UL10B/UL10C for positive pressure



Meets NFPA 80 & 101 for Life Safety



California State Fire Marshall

For detailed fire listings, visit www.detex.com/PROVEN

Cancer & Reproductive Harm - www.detex.com/prop65

June 20, 2022

Accessories

- SN1 - Sex Nut Kit (2 per package)
- GB16 - Glass Bead Kit

Technical Information

- Door Types - Wood, Hollow Metal, Fiberglass or Aluminum
- Door Thickness - Fits standard 1-3/4" - 2-1/4" doors (for other door thicknesses contact factory)
- Minimum Stile - 4-3/4"
- Machine and Self-Drilling Screws (Std.)
- Optional Sex Nuts for wood or composite doors
- Security Torx screws available

Finishes

605 / US3	Polished Brass
606 / US4	Brushed Brass
611 / US9	Polished Bronze
612 / US10	Brushed Bronze
613 / US10B	Oil Rubbed Bronze
628 / US28	Aluminum Satin
629 / US32	Polished Stainless Steel
630 / US32D	Brushed Stainless Steel
693 / SPBLK	Black, Painted
695 / SP 313	Dark Bronze, Painted

Detex Limited Warranty

10 Year Mechanical/3 Year Electrical Limited Manufacturer's Warranty

DETEX[®]
A Century of Security
1923-2023

Detex Corporation
302 Detex Drive
New Braunfels, Texas 78130-3045 USA
PH. (830) 629-2900
(800) 729-3839
FAX (800) 653-3839
<http://www.detex.com>
USA Sales:
marketing@detex.com
International Sales:
export@detex.com