



Detex Corporation, 302 Detex Drive, New Braunfels, Texas 78130-3045
830-629-2900 / 800-729-3839 / Fax 800-653-3839 / Text photos only: 830-481-6433 / INTERNET: www.detex.com

ELECTRICAL INSTRUCTIONS FOR ADVANTEX EA, EX & EBxW MODELS

- Dwg #: 101379 RIM (SS)
- 104600 RIM (AL)
- 101559 SVR (SS)
- 104690 SVR (AL)
- 103200 MORTISE (SS)
- 104695 MORTISE (AL)
- 105260 CVR (60)
- 105280 CVR (70/80)

EA - Exit Alarm

EX - Request to exit

EXV - Request to exit, voltage

EXxW - Request to exit, weatherized*

EXVxW - Request to exit, voltage, weatherized*

EBxW - Electrified with battery, weatherized*

***Weatherized (xW) options are not available on CVR or Mortise devices**

U.S. PATENT NUMBERS:

6009732

6205825B1

6532777B2

INTERNATIONAL PATENT NUMBER:

PCT6009732

Table of Contents

Page

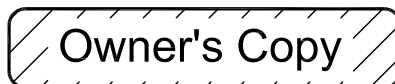
Device parts breakdown view.....	2
Device parts breakdown list with part numbers.....	3
EA Alarm Operations.....	4
EA Switch Options, EA & EBxW wiring details.....	5
Cut down procedure, EX wiring details, Power Transfer Options.....	6
EA Troubleshooting / Optional Accessories.....	7

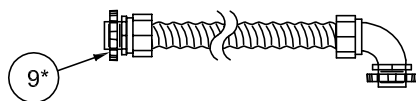
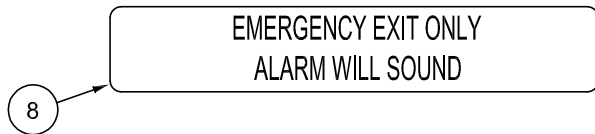
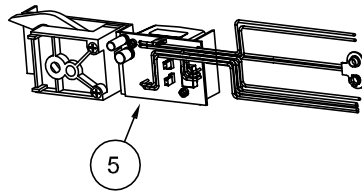
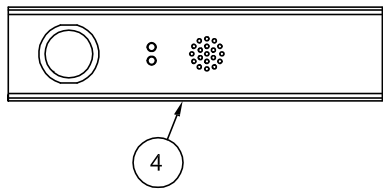
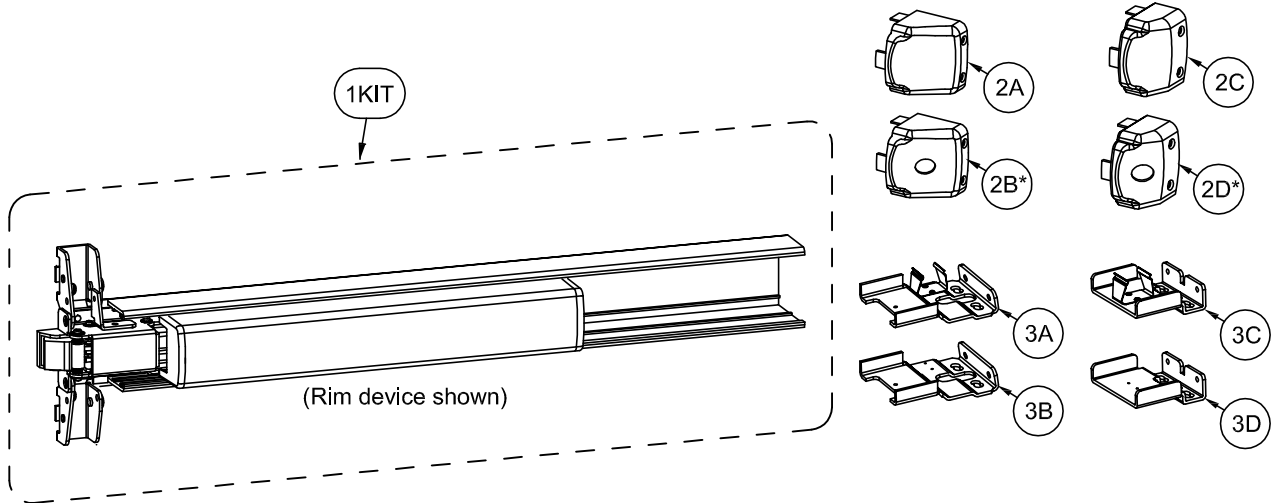
Should you have a Question/Problem with your Detex device please call Detex Technical Support from the job site at 1-800-729-3839 and choose option 2 on our menu. Please do not return the product to the distributor.

For **WARRANTY** information,
scan code below or
go to www.detex.com/warranty



For device installation videos,
scan code below or
go to www.detex.com/videos





PARTS BREAKDOWN		
Item	Order Part #	Description
1KIT	105500-23	Centercase/Pushpad SubAssembly, Rim, 630 EXxW LD, 36"
	105500-24	Centercase/Pushpad SubAssembly, Rim, 630 EXxW LD, 48"
2A	101642-9	Endcap, EC1 (ramped), SS 630
2B	102095-9	Endcap, EC1 (ramped) for Flex Conduit, SS 630
2C	104304-9	Endcap, EC2 (flush) Stainless Steel, 630
	104612-1	Endcap, EC2 (flush) Aluminum, 628
2D	104317-9	Endcap, EC2 (flush) Stainless Steel, 630 for Flex Conduit
	104686-1	Endcap, EC2 (flush) Aluminum, 628 for Flex Conduit
3A	101093	Endcap bracket for EC1 (ramped endcap) with battery holder
3B	100147	Endcap bracket for EC1 (ramped endcap) without battery holder
3C	104636	Endcap bracket for EC2 (flush endcap) with battery holder
3D	104303	Endcap bracket for EC2 (flush endcap) without battery holder
4	100860-51	Fillerplate Subassembly, EA 630 3ft
	100860-66	Fillerplate Subassembly, EA 630 4ft
	100860-59	Fillerplate Subassembly, LD 630 3ft
	100860-60	Fillerplate Subassembly, LD 630 4ft
5	100744-2	EA Circuit board assembly
6	100783	Cylinder Hex Nut
7	PP-5567	9V Battery
8	EA-561	Door Sign
9	101901-3	Armored Cable Kit, 3ft
	101901-5	Armored Cable Kit, 10ft
	101858-5	Weatherized Armored Cable Kit, 3ft
	101852-6	Weatherized Armored Cable Kit, 10ft

Your particular part or configuration may not be shown:
Contact Detex technical support at 800-729-3839 (option 2)

EA / EBxW ALARM OPERATIONS

Note: Unit is shipped with Auto Rearm turned OFF and Status Indicator turned OFF

Refer to tables 1, 2 & 3 on page 5

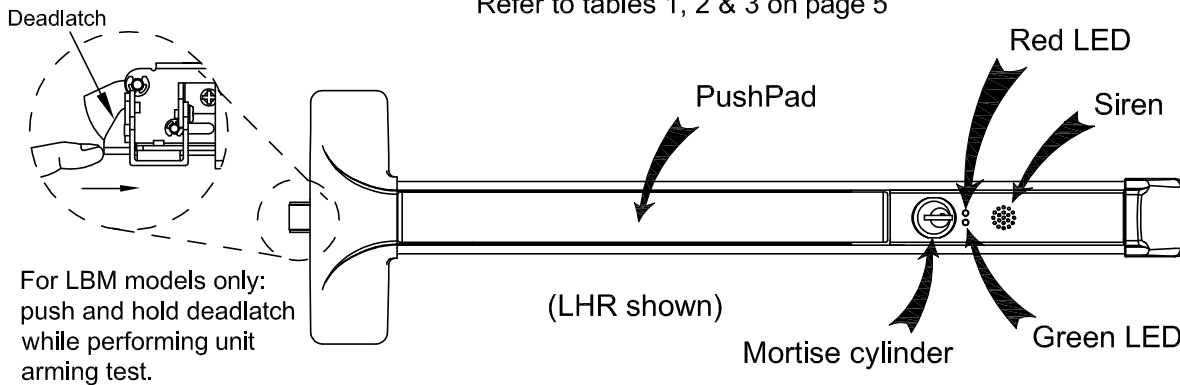


Figure 1 Device features.

SPECIAL NOTES and DEFINITIONS

1. When operating the ON/OFF switch, there is a slight delay.
2. The key is inserted and removed only in the horizontal position (home position).
3. Key function: counter clockwise (CCW) = Armed; clockwise (CW) = Disarmed

UNIT ARMING TEST:

1. Turn key counterclockwise (CCW) (key is removable after rotating back to horizontal position).
2. Red LED will flash twice, then green LED will flash continuously for the 15 second delay time, then turn off.
The siren will sound three short beeps indicating the unit is armed.
3. Depress Pushpad (Siren will sound and red LED will illuminate).
4. Turn key clockwise (CW). Turns alarm off.

LOW BATTERY ALERT:

1. Siren will beep and red LED will blink at approximately 45 second intervals when battery is low.

DOGGING FEATURE: (non-fire rated units only)

1. Depress Pushpad.
2. While holding Pushpad depressed, turn key clockwise (CW). Pushpad should remain depressed & latch retracted.
(Key is removable after rotating back to horizontal position)
3. Unit is now disarmed.

SILENT ARMING:

Disarm the device by turning the key CW. Remove all power from device. Short the two violet remote bypass wires together (see Fig 3 & Table 4). Depress pushpad switch. Add power (battery or AC). Red and green leds blink and siren chirps twice. After approximately 5 seconds remove the short from the violet wires and release pushpad switch. Finish making any required connections per the instructions. Repeating these steps will enable audible arming again.

Care and Maintenance: The Detex Advantex® devices are designed to provide many years of maintenance free service under normal usage. Periodically inspect and lubricate the unit to extend its life.

EA / EBxW SWITCH OPTIONS

Switch selections can be made at any time (See Figure 2)

Table 1	
Status Indicator	Status Description
Off (default)	The Device gives no indication of armed or disarmed status. (Gives the longest battery life)
On	The Device flashes red or green LED every 3 seconds. Red indicates armed status and green indicates disarmed.

Table 2	
Auto rearm	Auto Rearming Feature Setting
Off (default)	Alarm sounds until turned off with key. Extended bypass is enabled.
On	Unit sounds alarm for 2 minutes after bar is released. Alarm will automatically rearm after 2 minutes.

Table 3 (Switch available on EA)	
Note: AC power must be applied for switch to operate	
Disable Low Battery	Status Description
Off (default)	The device flashes one red LED and one beep about every 45 seconds when the battery needs to be changed.
On	The device gives no indication of battery being low.

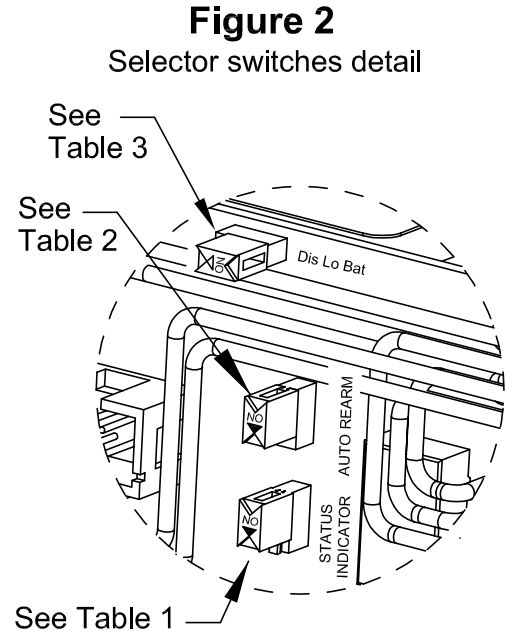
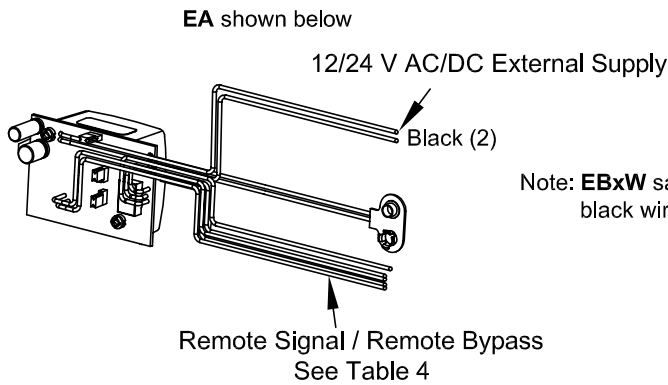


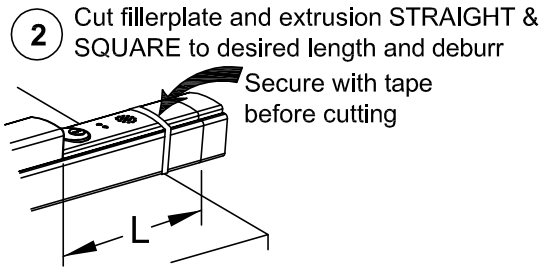
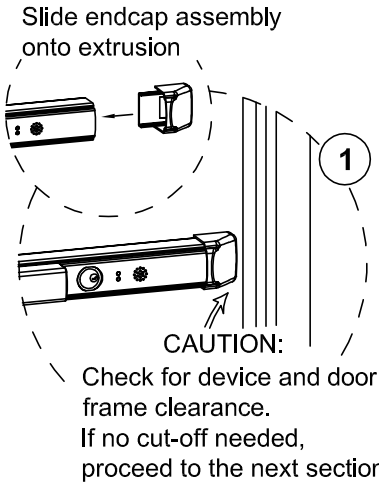
Figure 3
WIRING DETAIL



Note: **EBxW** same as shown, but **DOES NOT** have black wires for 12/24 V AC/DC connection

Table 4 (EA wire usage)			
Remote Signal		Remote Bypass	
Brown	Common	Violet	N.O. contact
Yellow	Normally Open	Violet	N.O. contact
Green	Normally Closed	---	---
Contacts rated at 1.0A @ 30VDC or 0.5A @ 125VAC			

CHECKING FOR DEVICE CLEARANCE (Cut-Off procedure if required)

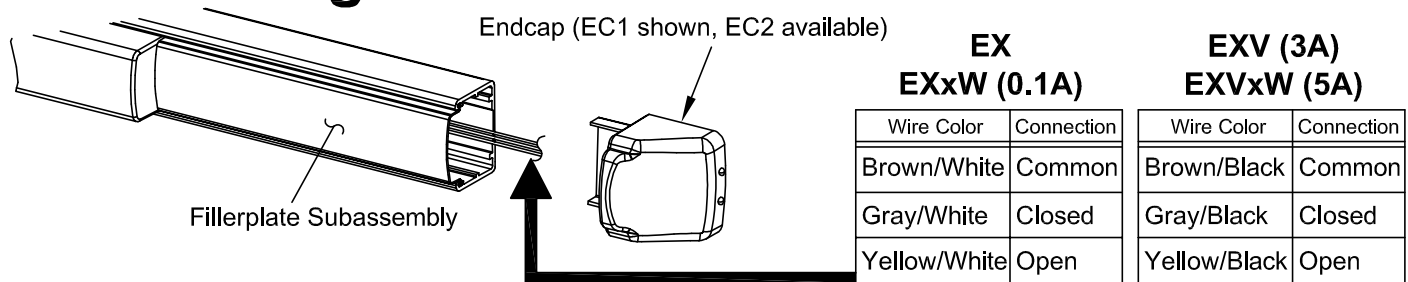


Minimum Fillerplate Length	
Type	Length (L)
EX x LD	2-1/2"
EX x (HD/CD)	3"
EA / EB / EBxW	7-1/2"

For further Cut-Down information, see:
www.detex.com/cutdown

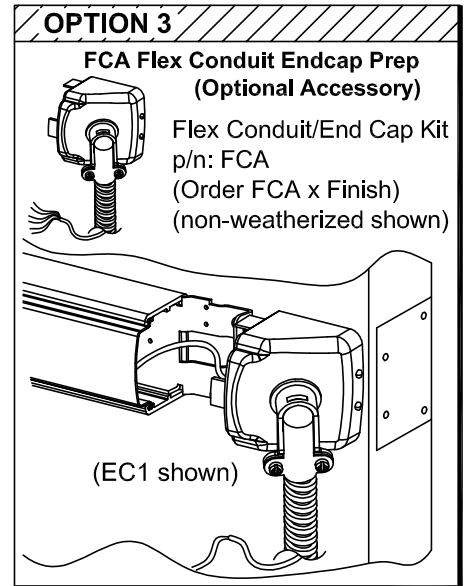
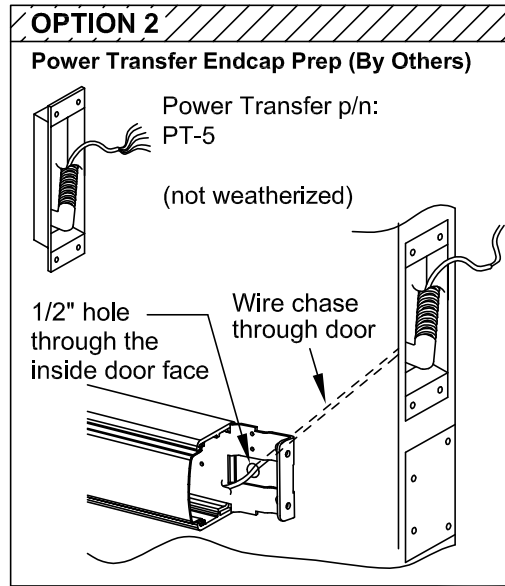
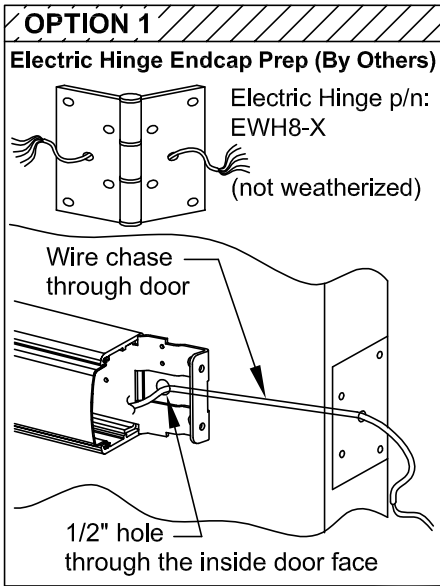
For aluminum Advantex finish cutdown applications:
After cutting, the baseplate extrusion can be reversed to place the cut end inside the head cover. To do so, loosen the setscrew inside the aluminum baseplate extrusion and slide extrusion out, reverse, & slide back in. Tighten setscrew.

"EX" Wiring Instruction

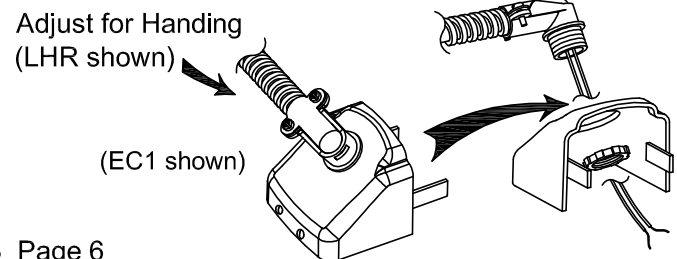


POWER TRANSFER OPTIONS

Note: For high traffic areas an electric through-wire hinge or power transfer is recommended.



OPTION 3 FLEX CONDUIT INSTALLATION
(weatherized version available)
(See Optional Accessories page for part numbers)



Troubleshooting Tips for Default Setting

Problem	Probable Cause	Action
When unit is armed, red LED flashes twice, green LED is on for 15 seconds, but the unit does not give three beeps after the green LED goes off.	The actuator is sticking to the micro switch.	Lubricate the plastic parts.
No LED activity when key is turned ccw to armed position.	Dead or weak battery. Battery not secured to connector correctly. Battery connector or wires damaged. No AC power.	Install new battery, LED's should flash and the siren beep once. Secure battery correctly. Replace battery connector. Verify power from transformer and check for correct voltage at black wires.
AC powered unit gives a low battery indication.	Battery not installed. OR Low battery	Install battery. If battery is not desired, disconnect power and slide the 'Dis Lo Bat IND' switch to 'ON' position.
LED's do not flash to indicate armed or disarmed status.	Status indicator switch in off position.	Slide 'Status indicator' switch to 'ON' position.

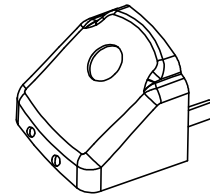
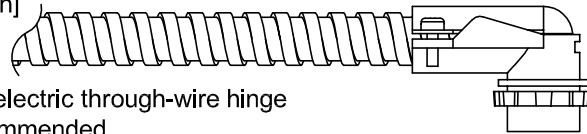
Technical Support 800-729-3839

Optional Accessories

(EC1 endcap shown)

Advantex Flex Conduit Kit

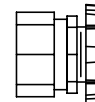
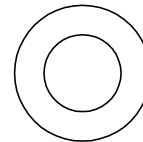
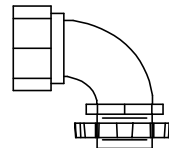
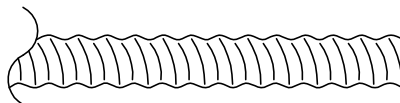
Catalog No: FCA-[Specify Finish]
Electrical Wires Not Supplied



Note: For high traffic areas an electric through-wire hinge or power transfer is recommended.

Weatherized Flex Conduit Kit

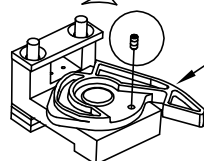
P/N: 101858-5 (3ft)
P/N: 101858-6 (10ft)
Electrical Wires Not Supplied



Waterproof
Connectors
Provided

Key Stop Kit

(Momentary Shunt)
Catalog No: KS
P/N: 101867



Dogging Lever Assembly
(shown for reference ONLY)