

1/8 [31.8] TYPICAL ← BACKSET → 3-5/8 [92.1]

3-1/8 [79.4]

TABLE B	
9/32 [34.9] DIAMETER	SEX BOLTS OR O3 TRIM PLATE
1/4-20 TAP HOLE	DEVICE SIDE ONLY

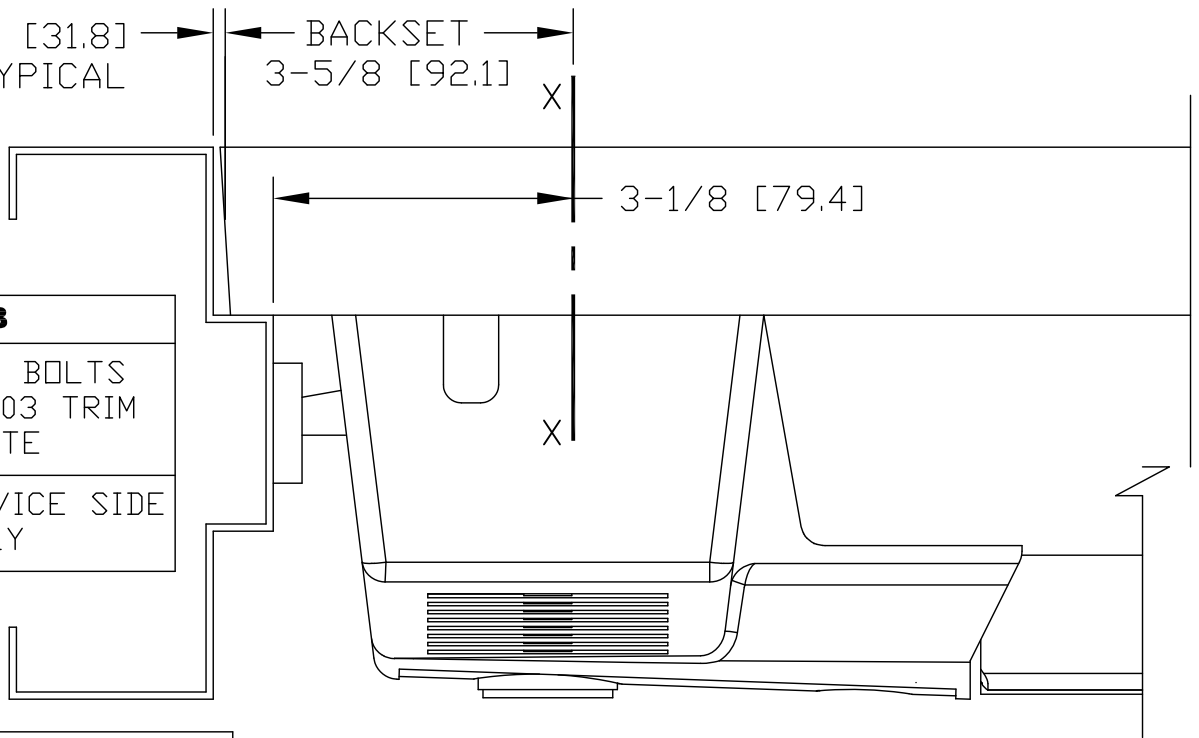
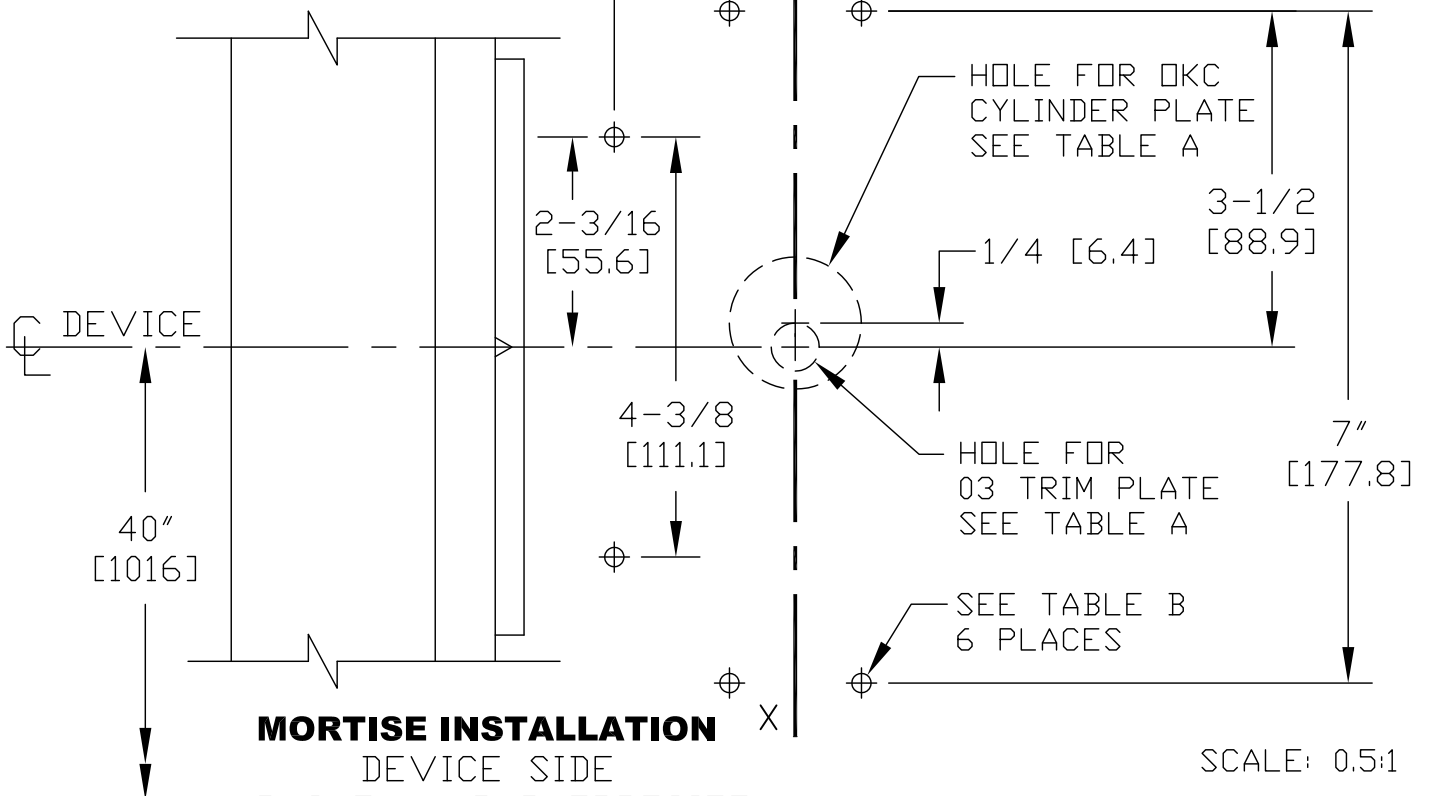


TABLE A	
1-3/8 [34.9] DIAMETER	OKC CYLINDER PLATE
1/2 [12.7] DIAMETER	WITH O3 TRIM PLATE

1.2 [30.5] 1-3/8 [34.9] 11/16 [17.5] 11/16 [17.5]



MORTISE INSTALLATION

DEVICE SIDE

LHR SHOWN (RHR OPPOSITE)

SCALE: 0.5:1

HDG. _____ DR. _____

RESPONSIBILITY
 Door and Frame Manufacturers are responsible for providing adequate construction or reinforcements for proper installation of hardware shown. All architectural builders hardware must be installed on properly reinforced doors and frames regardless of the type, material or method of construction.

MORTISE INSTALLATION—DEVICE SIDE
 230X EXIT CONTROL LOCK
 METAL/ALUMINUM/WOOD DOOR
 TEMPLATE



DO NOT SCALE DRAWING

DATE 1-13-16 TEMPLATE NUMBER T2355