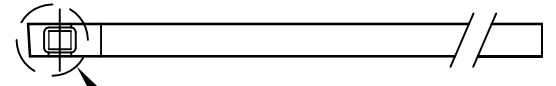
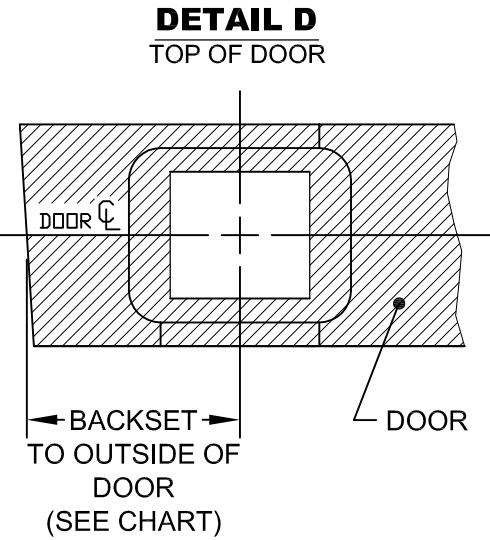


NOTES:

1. DO NOT SCALE DRAWING.
2. DIMENSIONS ARE IN INCHES [mm].
3. LHR DOOR SHOWN.
4. MINIMUM STILE WIDTH: SEE CHART.
5. IF REQUIRED: THRU-BOLT HOLE SIZE
9/32" INTERIOR DOOR FACE
3/8" EXTERIOR DOOR FACE
6. IF OUTSIDE TRIM IS REQUIRED,
REFER TO OUTSIDE TRIM TEMPLATE.



DETAIL D
TOP OF DOOR



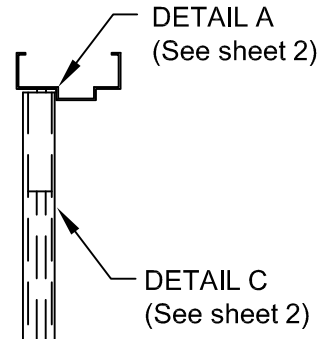
DETAIL D
TOP OF DOOR

BACKSET
TO OUTSIDE OF
DOOR
(SEE CHART)

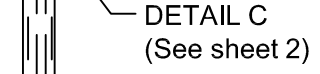
| BACKSET | MINIMUM STILE |
|------------------|----------------|
| 2-1/4" [57.2] | 4-1/2 [114] |

MECHANISM CLEARANCE
FROM HERE TO DOOR TOP
SEE DETAIL C
(SHEET 2)

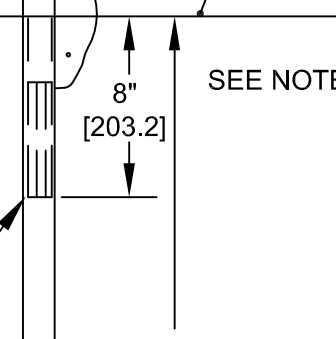
FINISHED FLOOR



DETAIL A
(See sheet 2)



DETAIL C
(See sheet 2)



8"
[203.2]

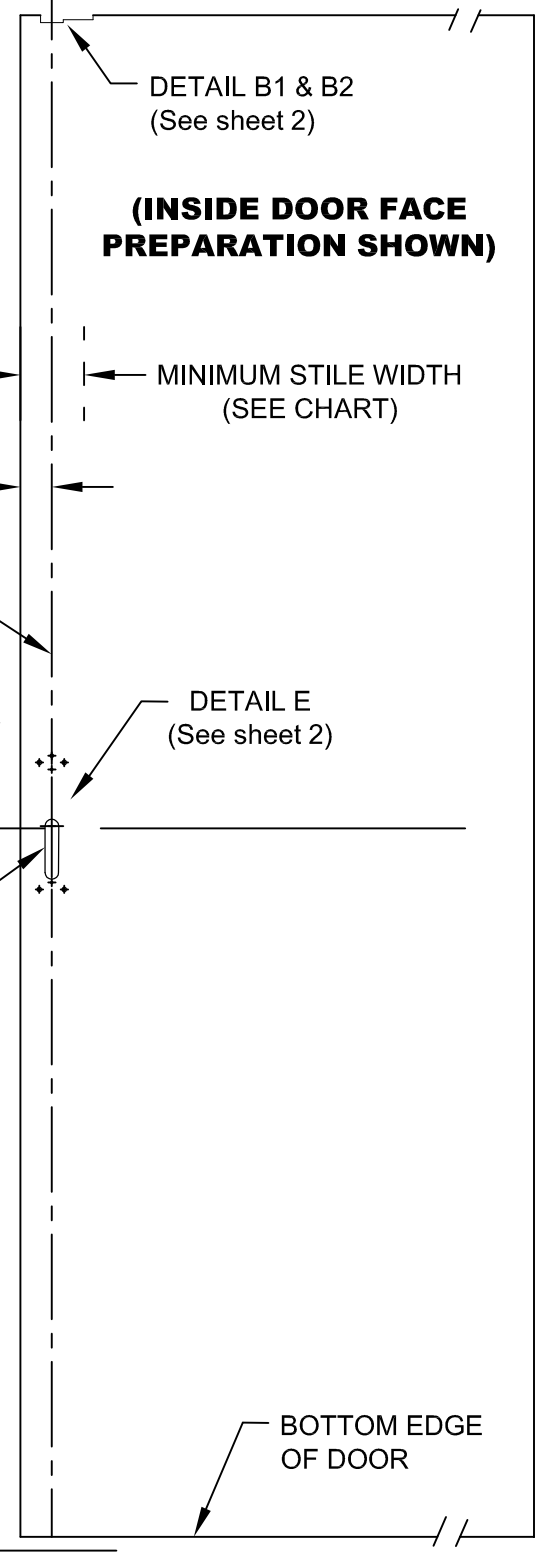
40" [1016] HEIGHT
(RECOMMENDED)

SEE NOTE 6

VERTICAL DEVICE CL

HORIZONTAL DEVICE CL

BACKSET
(SEE CHART)



DETAIL B1 & B2
(See sheet 2)

**(INSIDE DOOR FACE
PREPARATION SHOWN)**

MINIMUM STILE WIDTH
(SEE CHART)

DETAIL E
(See sheet 2)

BOTTOM EDGE
OF DOOR

RESPONSIBILITY
Door and Frame Manufacturers are responsible for providing adequate construction or reinforcements for proper installation of hardware shown. All architectural builders hardware must be installed on properly reinforced doors and frames regardless of the type, material or method of construction.

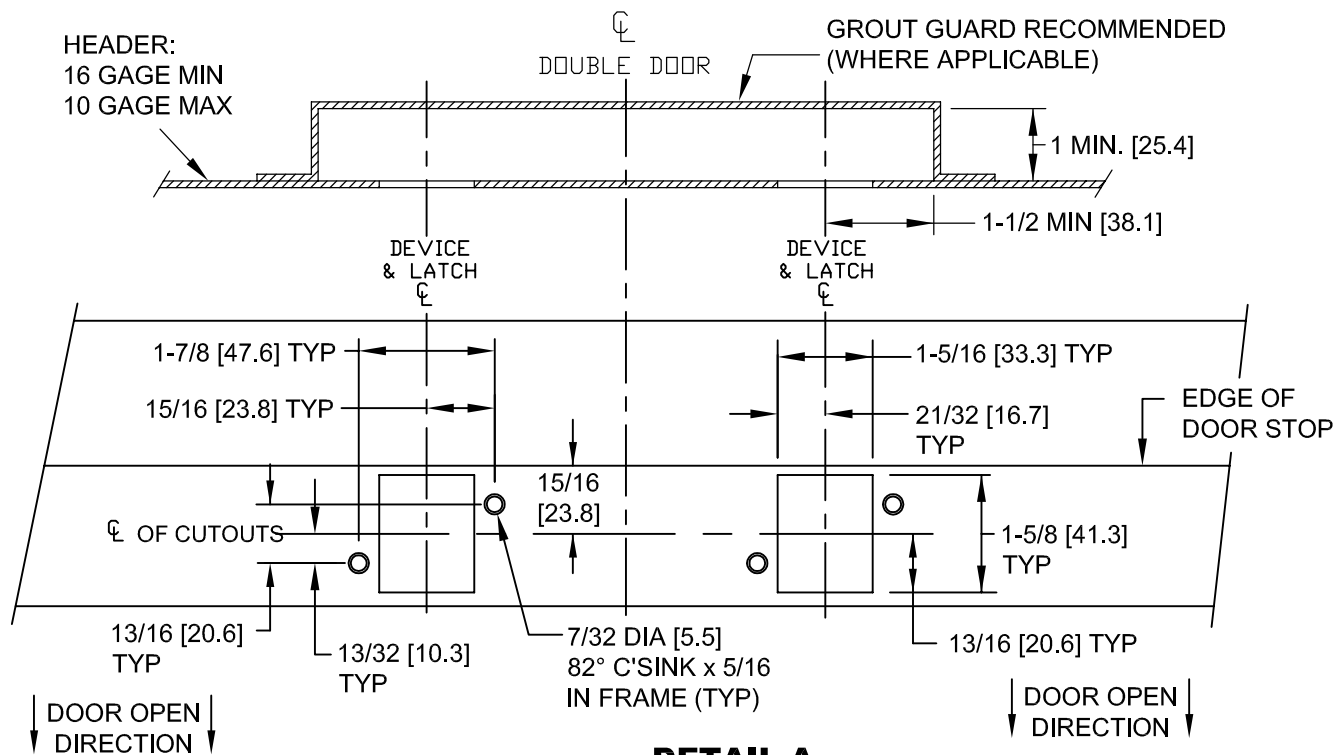
TEMPLATE
WOOD DOOR
71 TOP ROD ONLY
CONCEALED VERTICAL ROD
EXIT DEVICE



DO NOT SCALE DRAWING

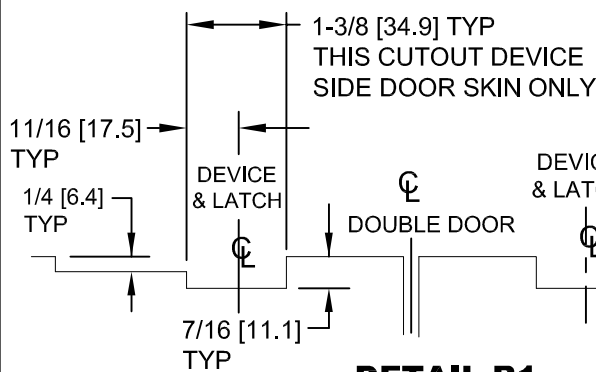
DATE 12-8-16

TEMPLATE NUMBER T2331

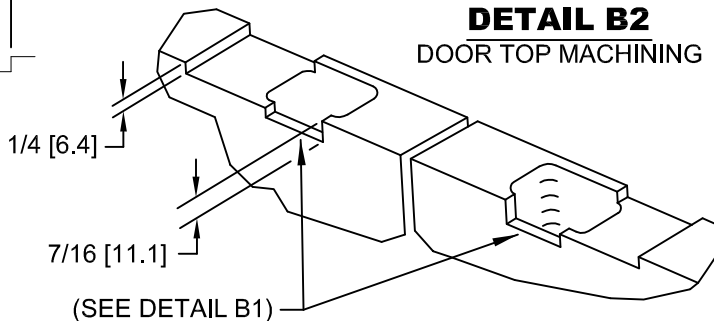


DETAIL A

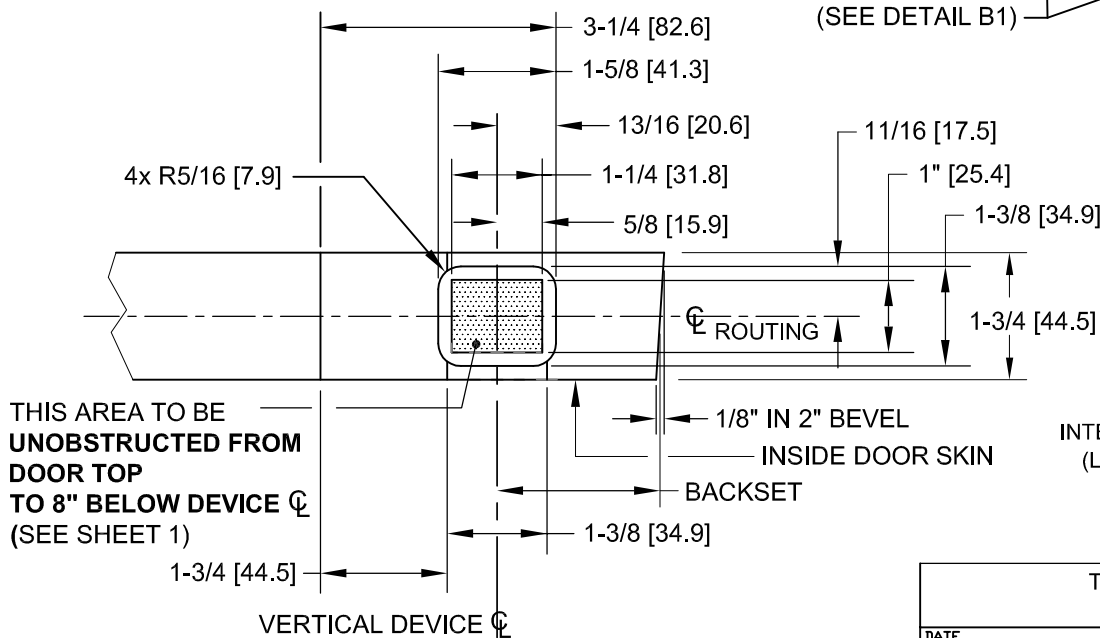
TOP FRAME STRIKE PREP
LOOKING UP AT HEADER



DETAIL B1
DOOR DEVICE SIDE
TOP MACHINING



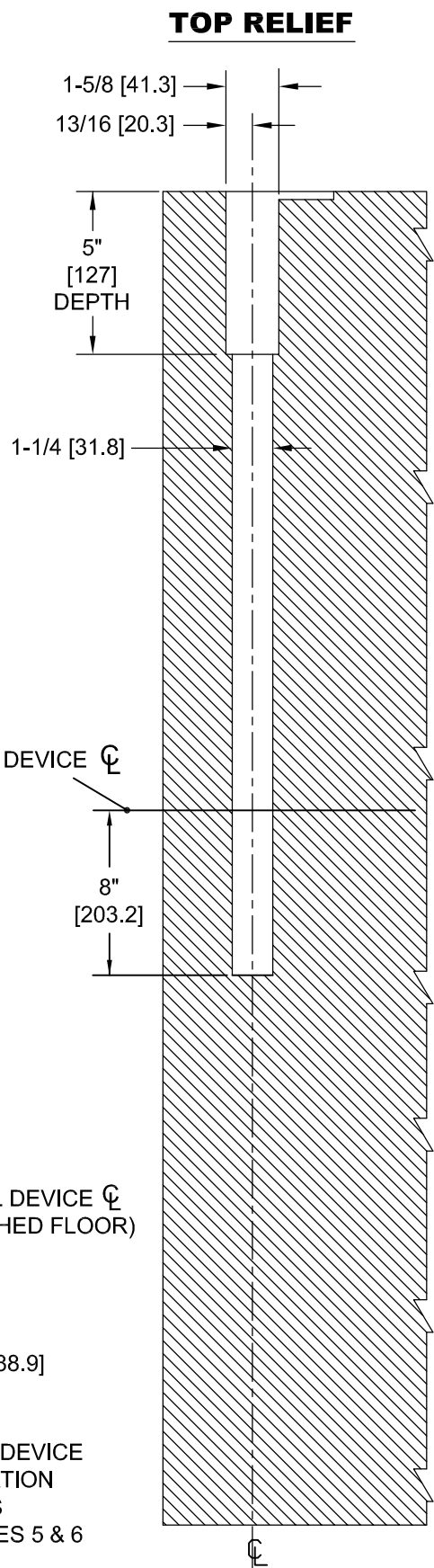
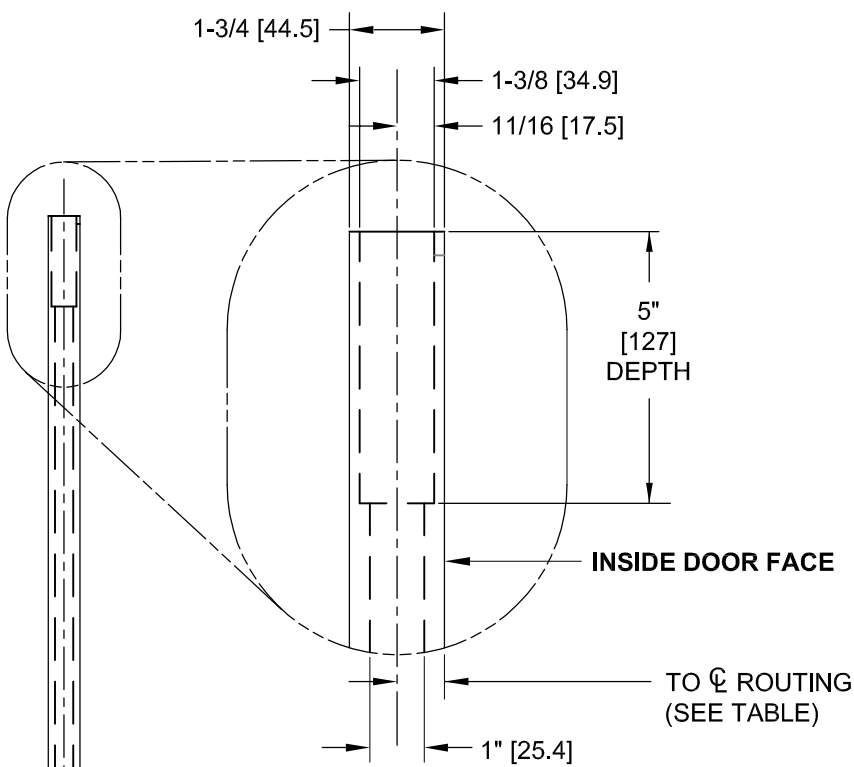
DETAIL B2
DOOR TOP MACHINING



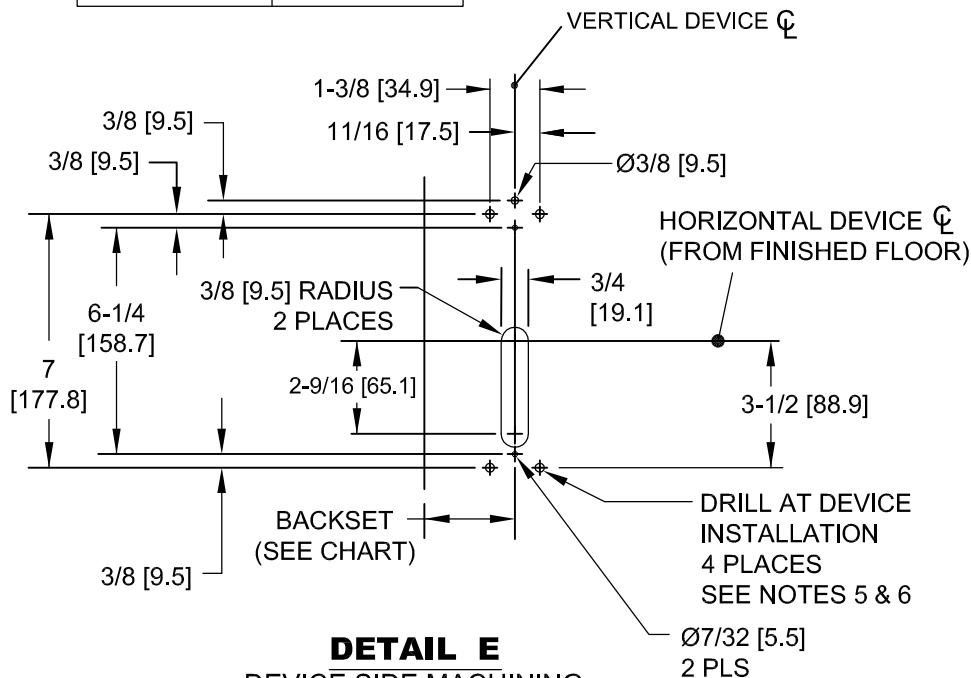
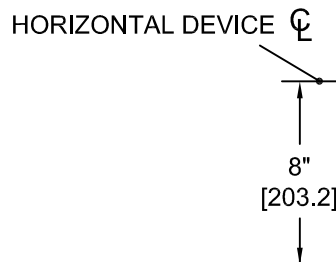
DETAIL C

INTERNAL MECHANISM CLEARANCE
(LOOKING FROM TOP OF DOOR)

| | | |
|--------------------------------------|---------|--------------------------|
| TEMPLATE - 71 DEVICE SHEET 2 OF 3 | | |
| DATE | 12-8-16 | TEMPLATE NUMBER T2331 |



| DOOR THICKNESS | Ø ROUTING |
|-------------------------|---------------|
| 1-3/4 [44.5] | 7/8 [22.2] |
| 2" [50.8] OR MORE | 1" [25.4] |



DETAIL E
DEVICE SIDE MACHINING
(INSIDE DOOR FACE ONLY)